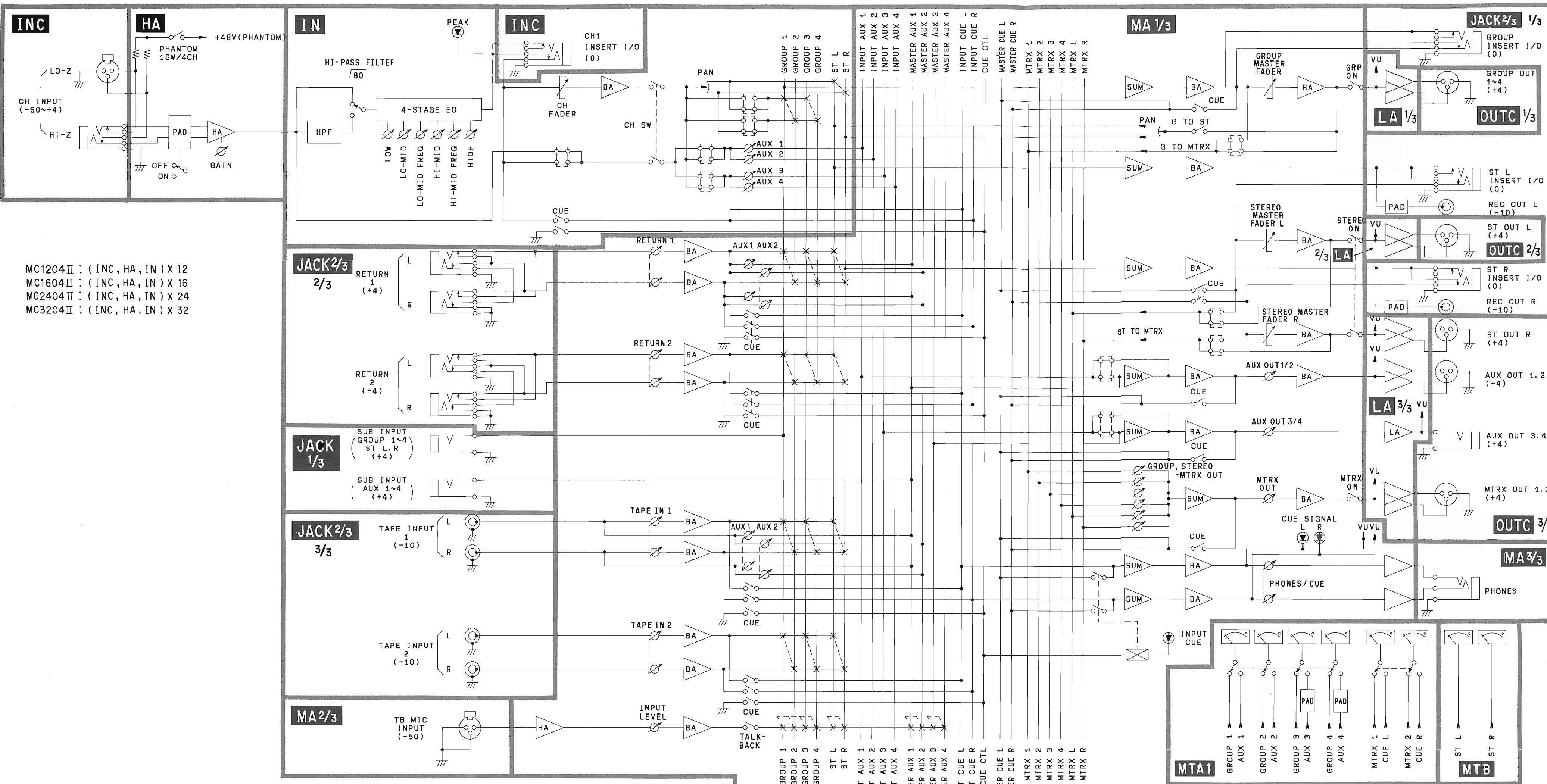
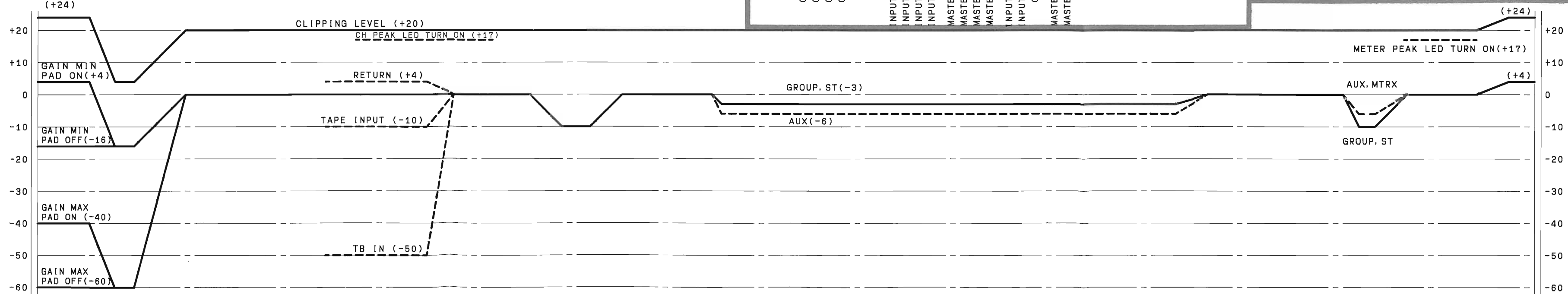


BLOCK DIAGRAM

MC1204 II / MC1604 II
MC2404 II / MC3204 II



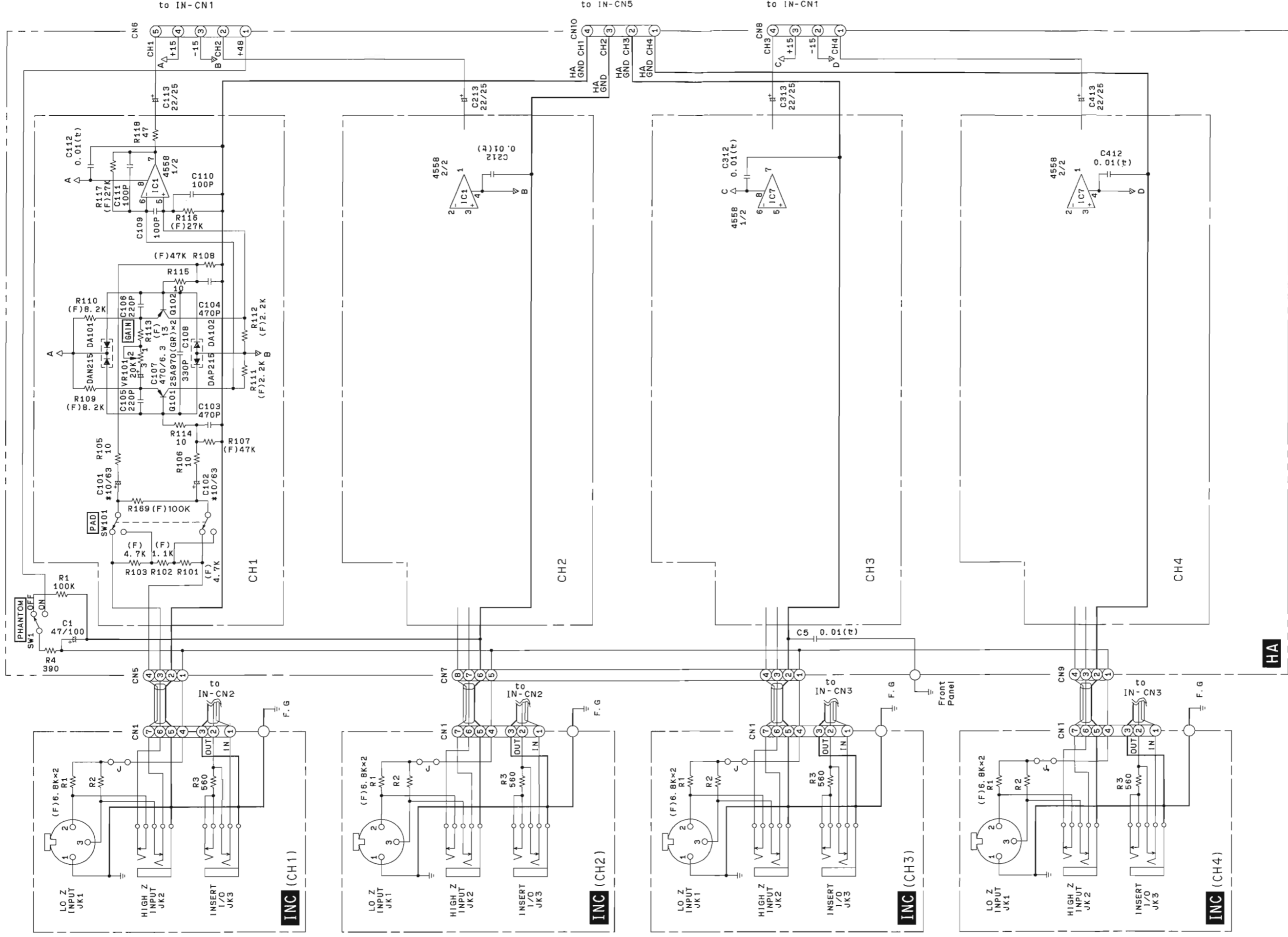
MC1204 II : (INC, HA, IN) X 12
MC1604 II : (INC, HA, IN) X 16
MC2404 II : (INC, HA, IN) X 24
MC3204 II : (INC, HA, IN) X 32



() = Nominal Level

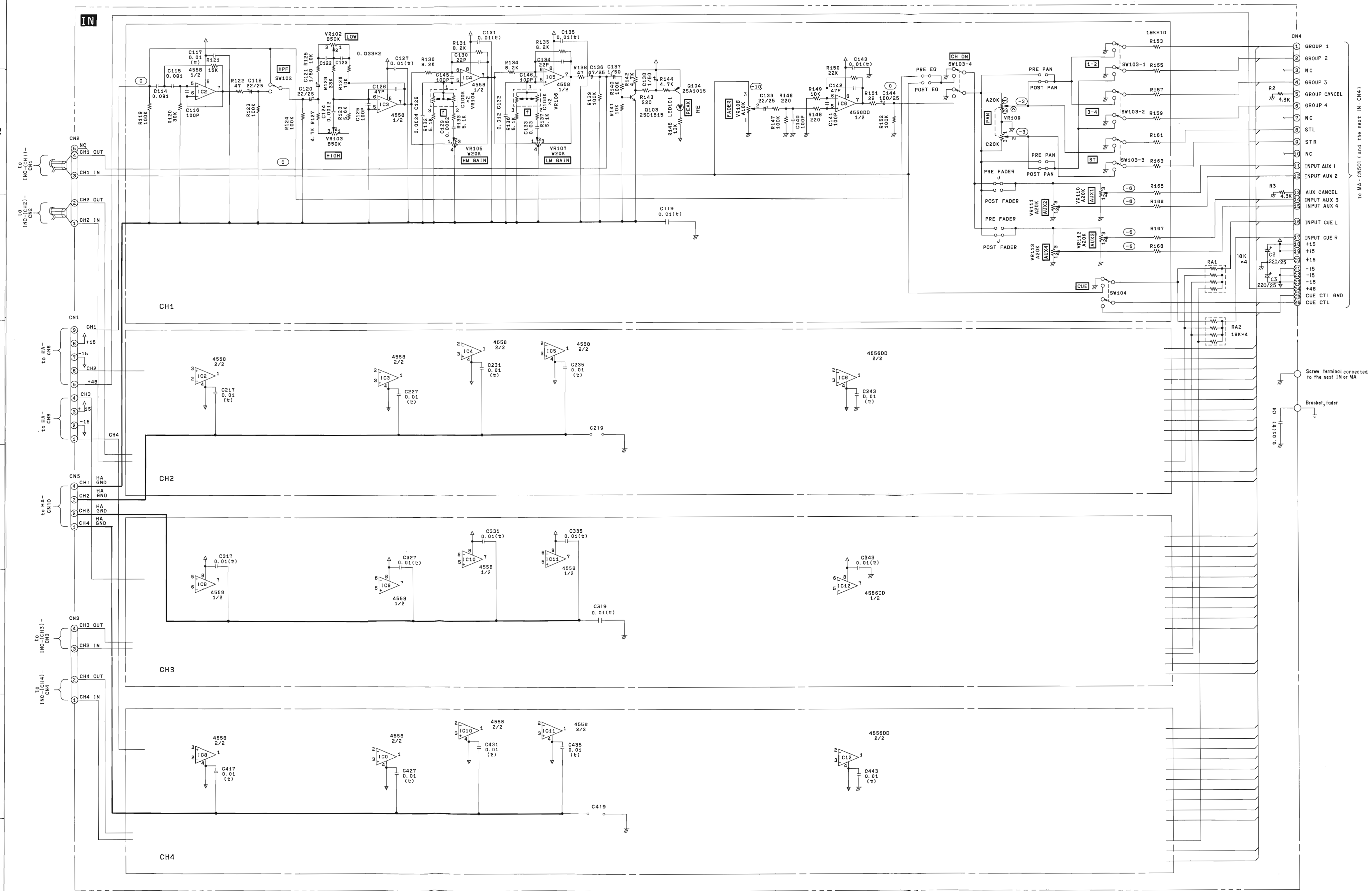
HA, INC CIRCUIT DIAGRAM

MC1204 II / MC1604 II
MC2404 II / MC3204 II



1992. 1 — 1992. 3 products only;
The connector CN10 is not located
on the HA circuit board. A connector
assembly is directly connected to
printed pattern.

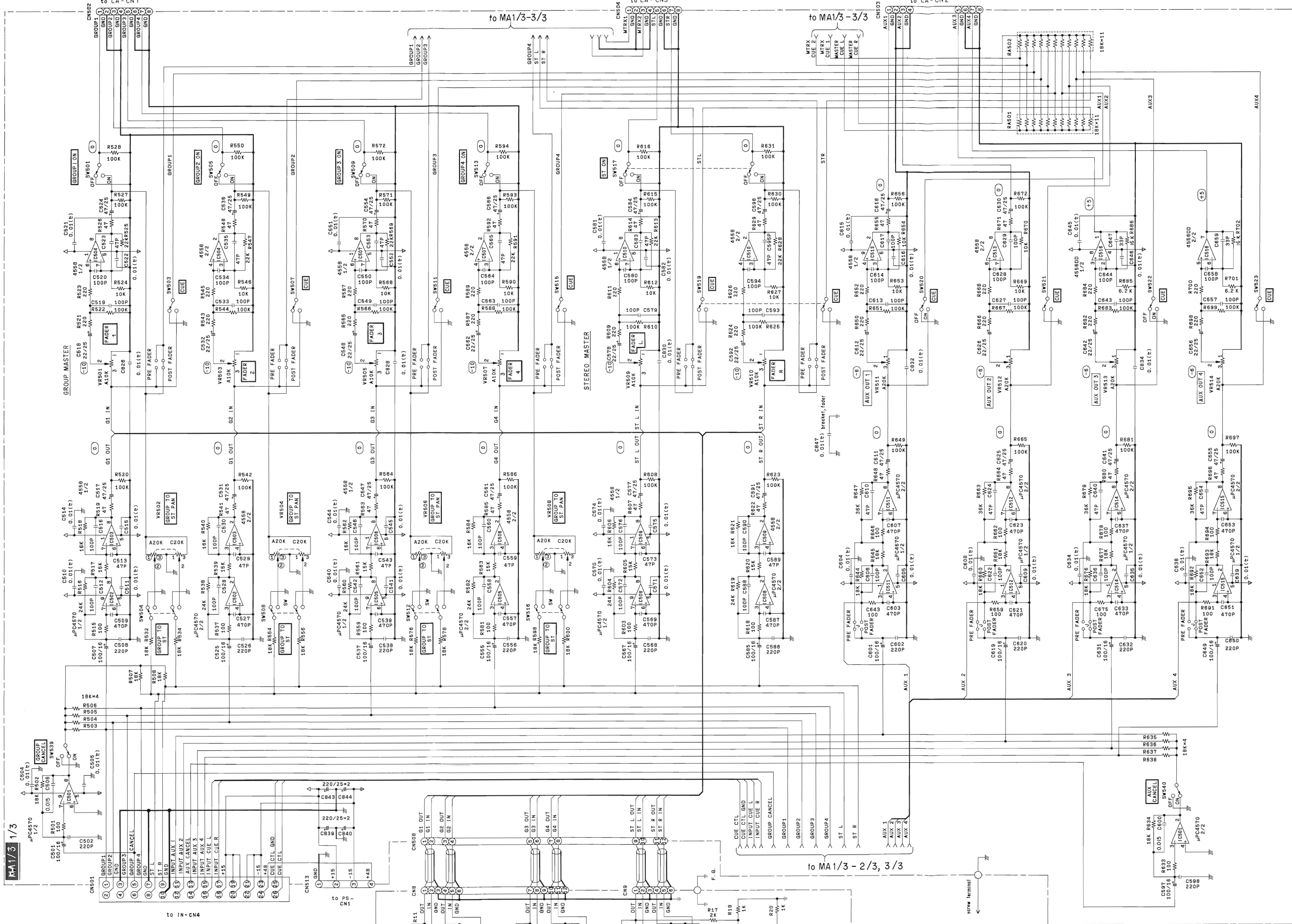
marked X : low noise electrolytic capacitor
marked (F) : metal film resistor
marked R4 : flame proof carbon resistor



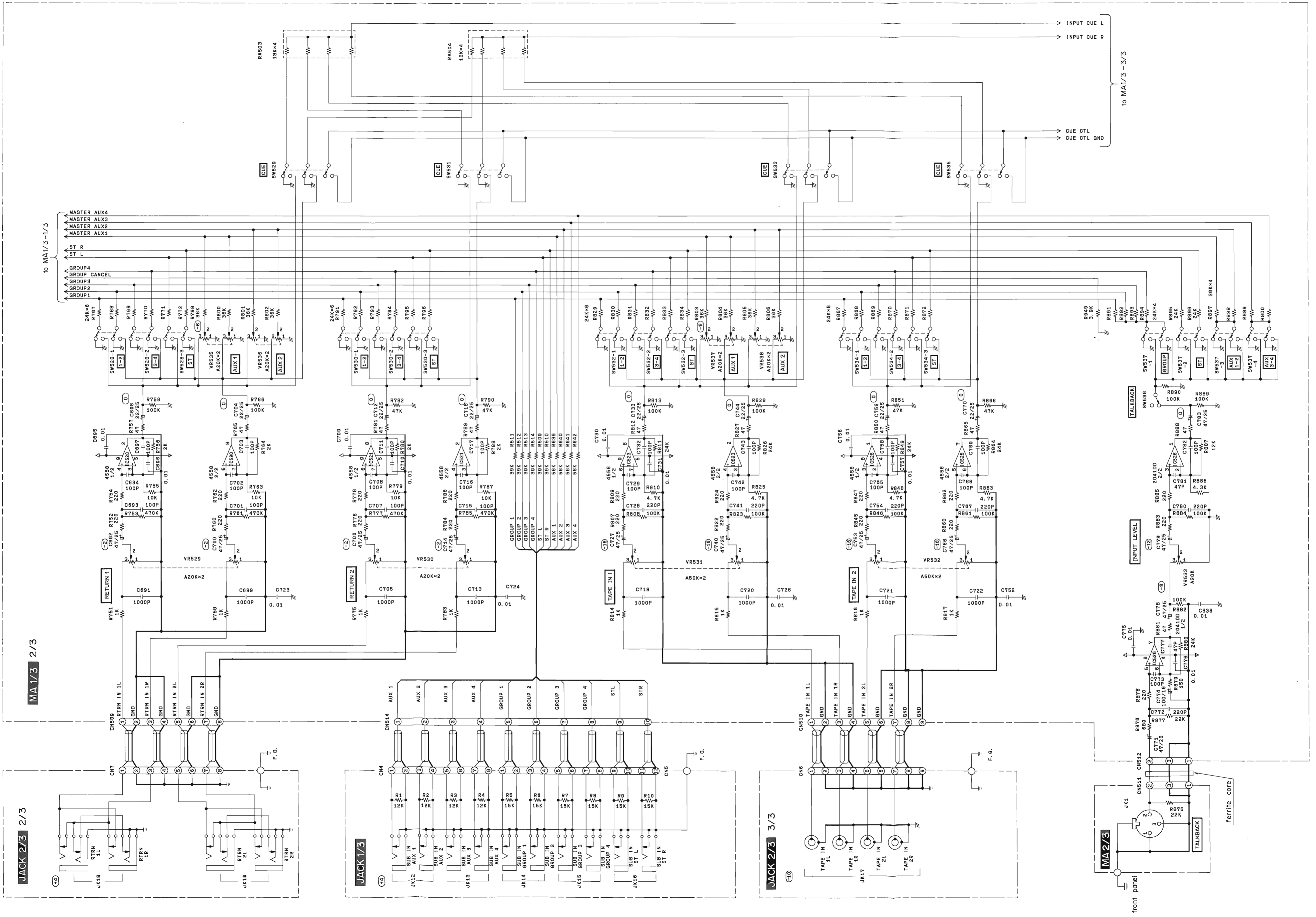
marked \circ : nominal level

1992.1 - 1992.3 products only;
The connector CN5 is not located
on the IN circuit board. A connector
assembly is connected to printed
pattern.

C219 and C419 are not installed.

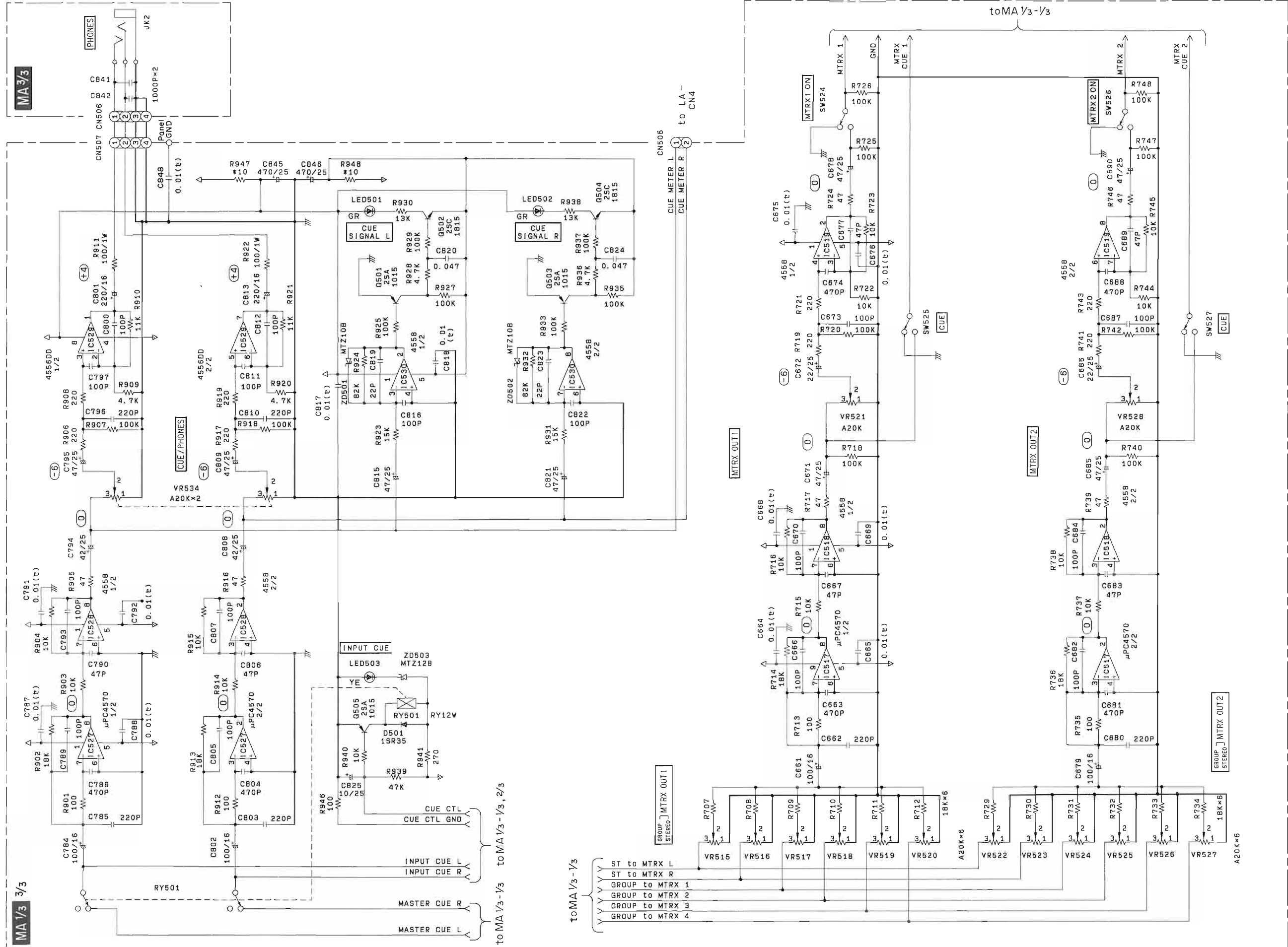


marked with symbol: nominal level



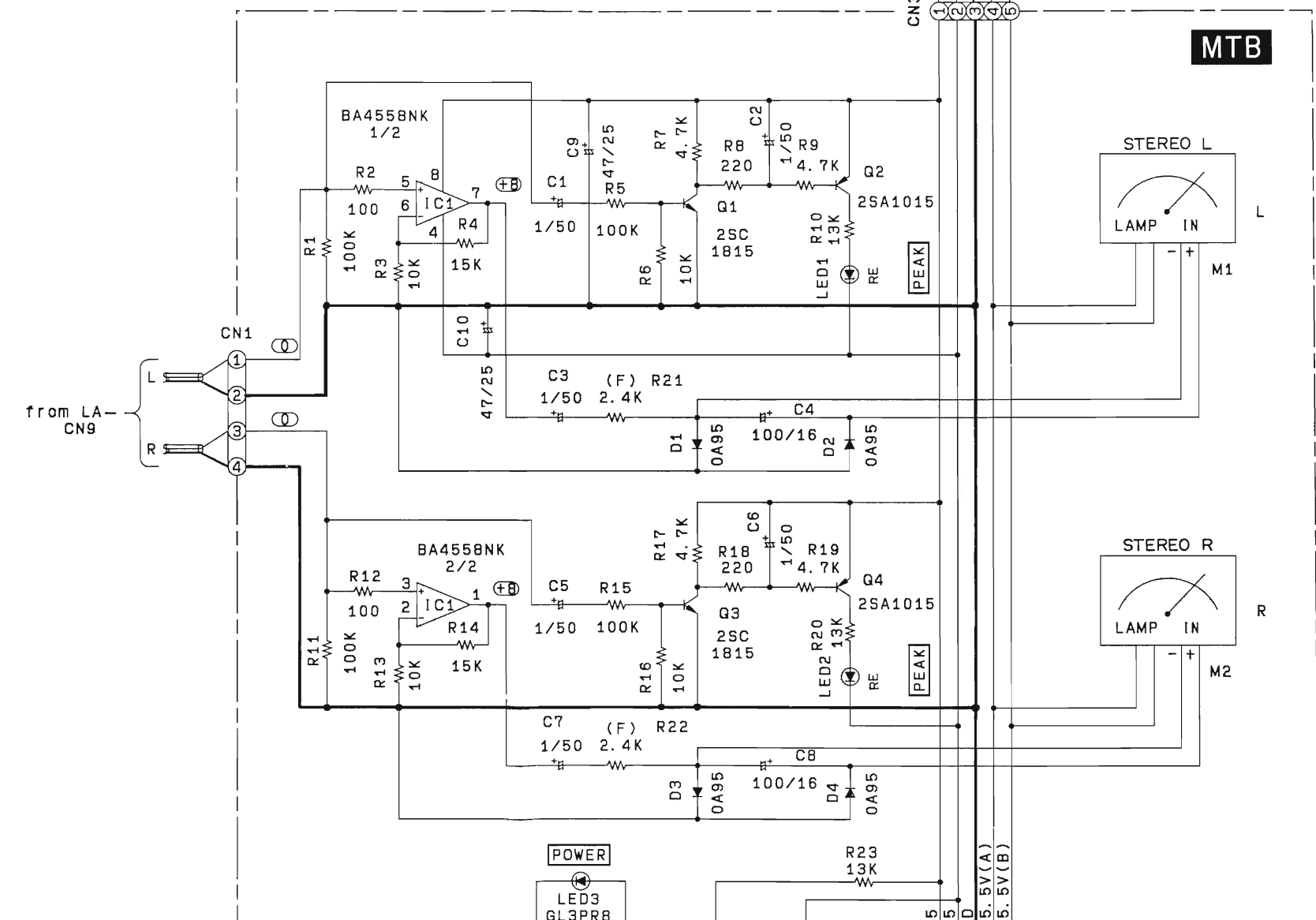
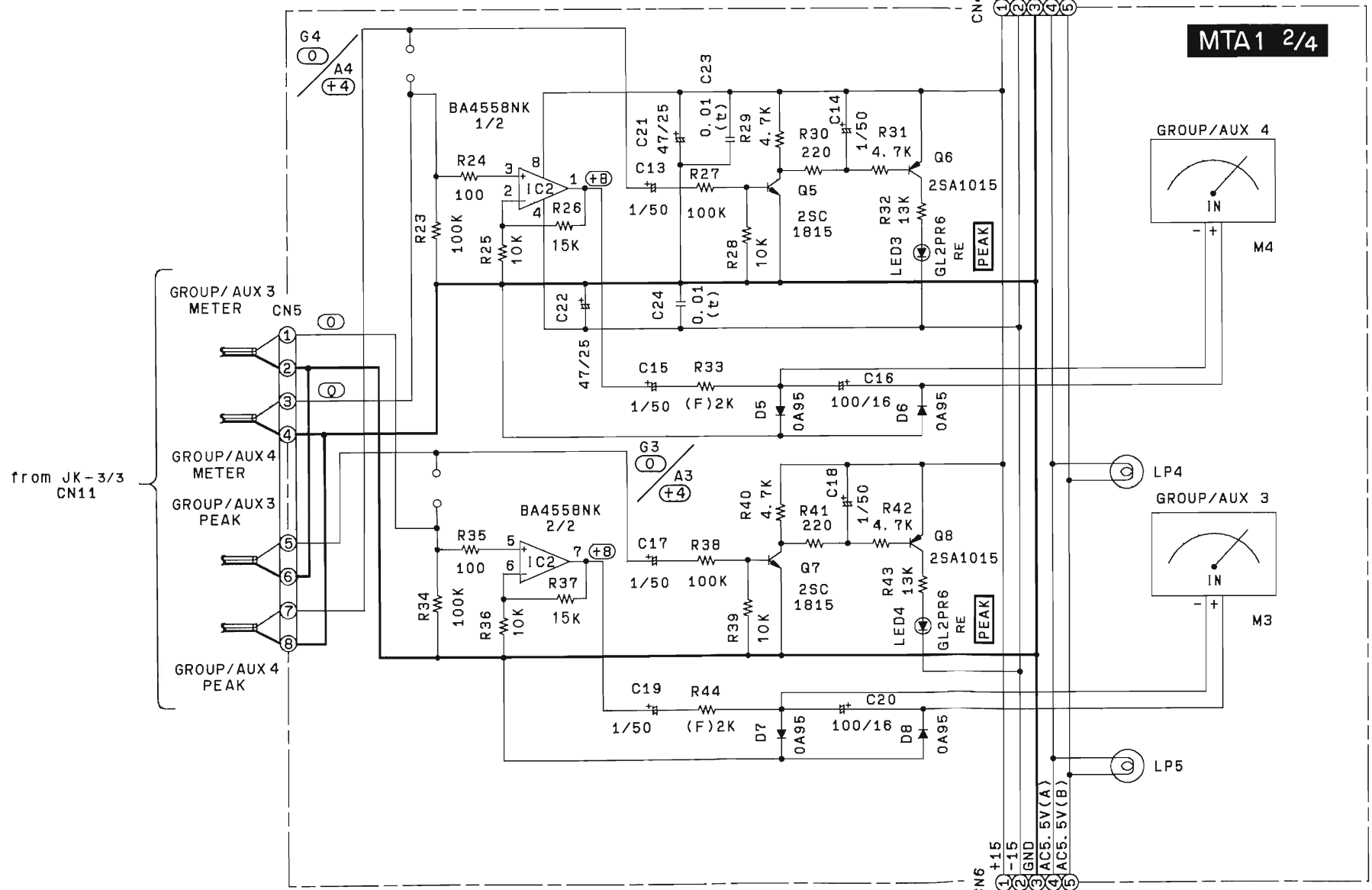
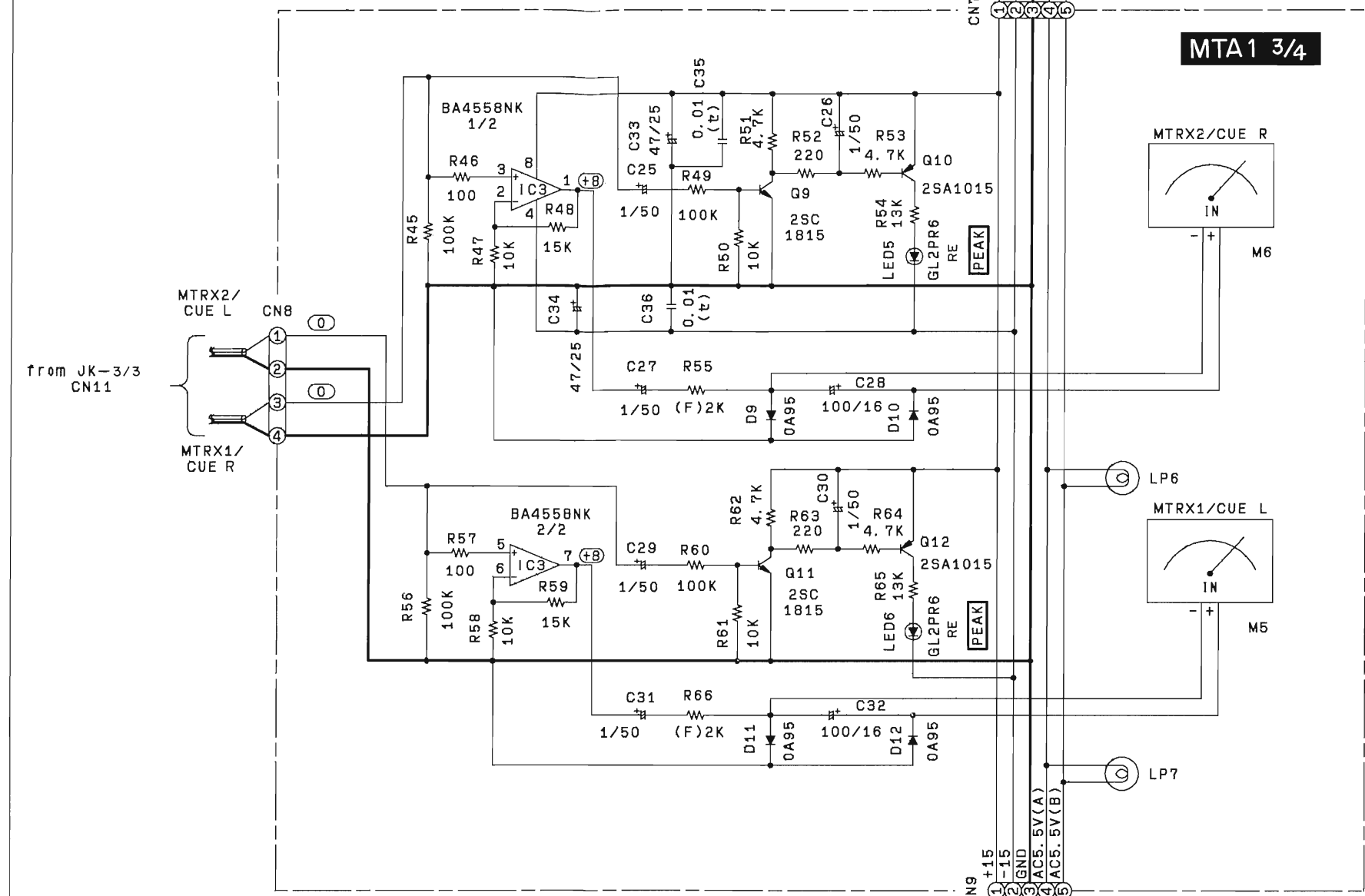
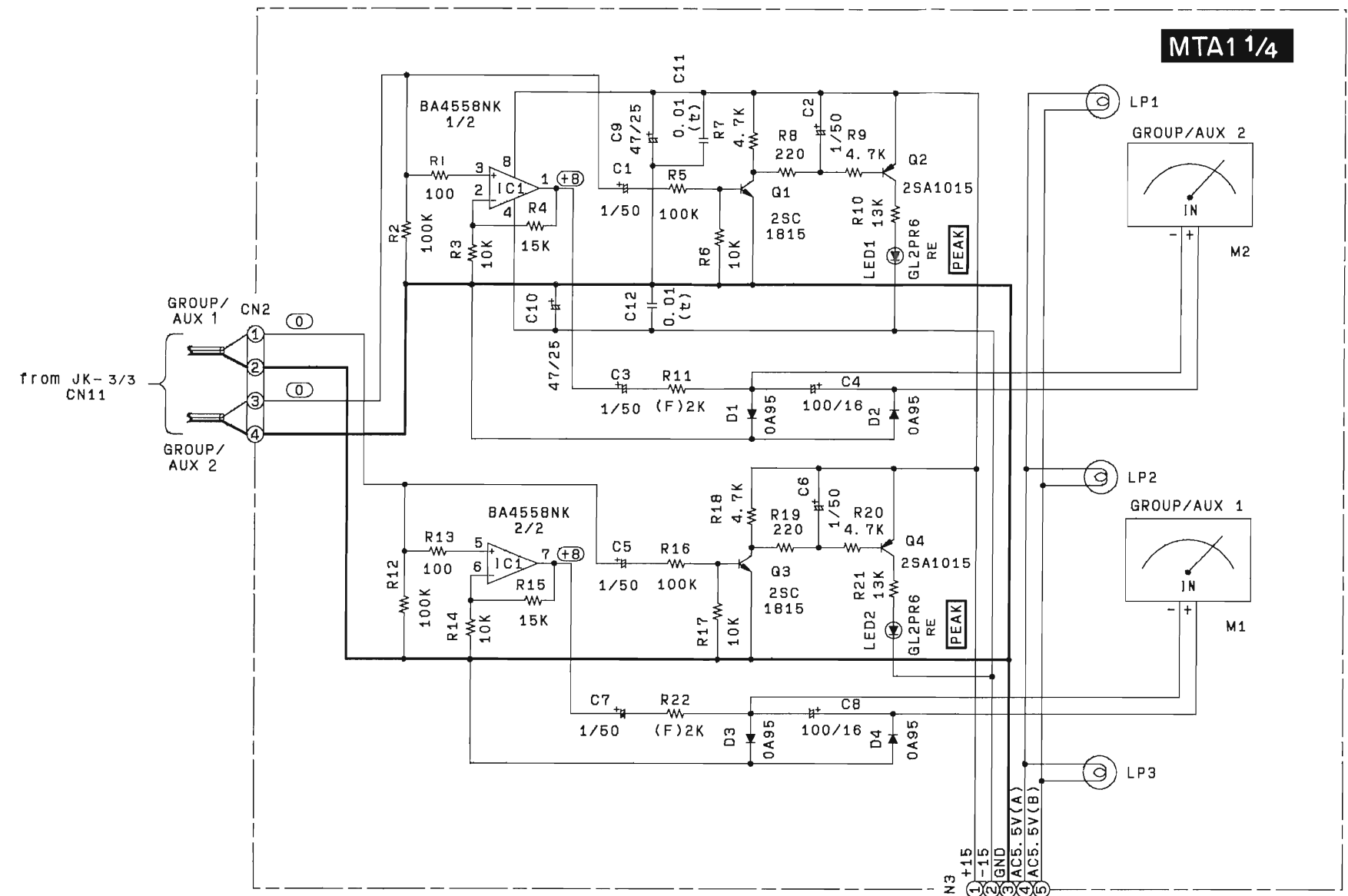
marked \odot : nominal level

MA 1/3-3/3, MA 3/3 CIRCUIT DIAGRAM



marked X : flame proof carbon resistor
marked O : nominal level

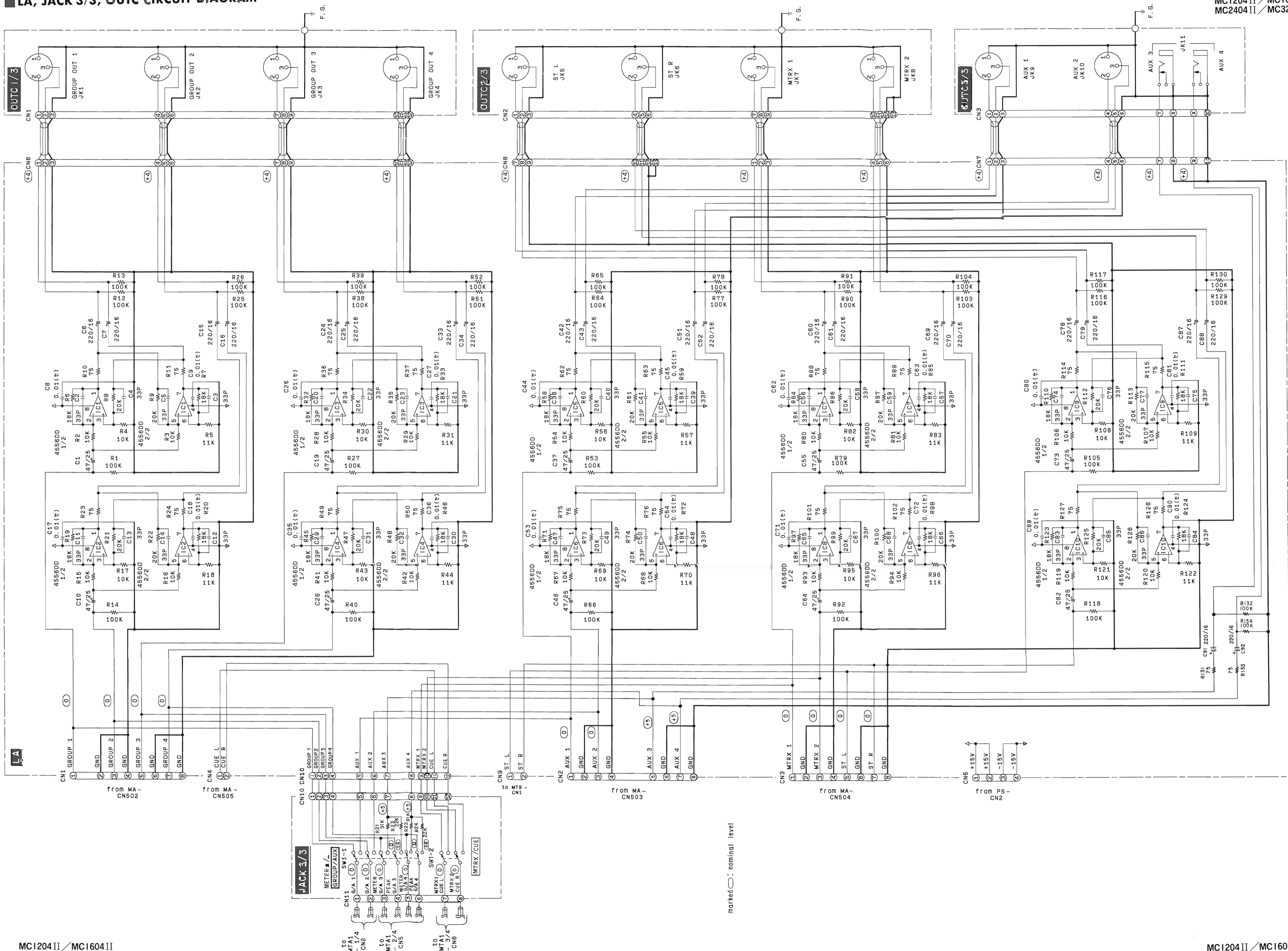
1
2
3
4
5
6



marked(F) : metal film resistor
marked(□) : nominal level
MTA1 1/4 circuit board is not used in this unit.

LA, JACK 3/3, OUTC CIRCUIT DIAGRAM

MC1204 II / MC1604 II
MC2404 II / MC3204 II

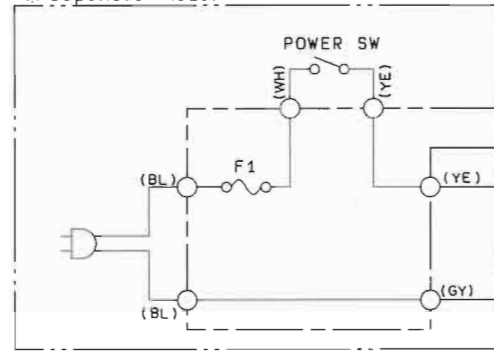


MC1204 II / MC1604 II
MC2404 II / MC3204 II

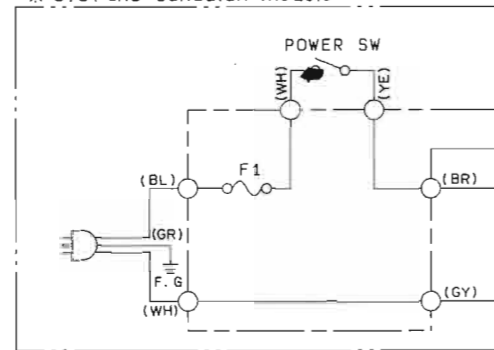
LA, JACK 3/3, OUTC CIRCUIT DIAGRAM

MC1204 II / MC1604 II
MC2404 II / MC3204 II

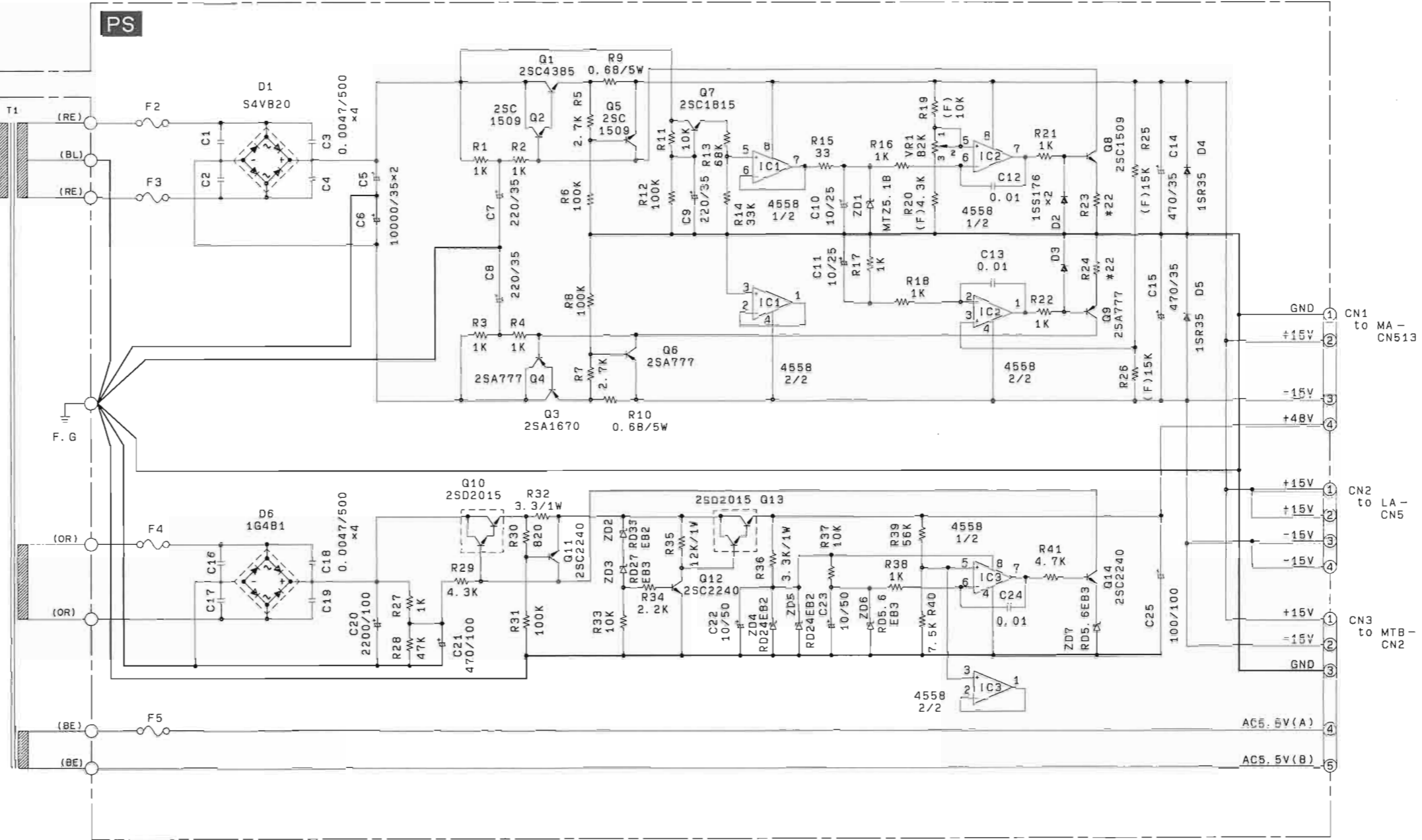
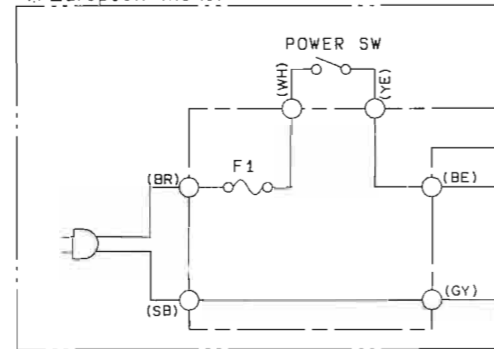
X Japanese model



X U.S. and Canadian models



X European model



	Japanese model	U.S. and Canadian models	European model
F1	▽ 3A 250V	⓪ 3A 250V	Ⓢ T1.6A 250V
Label	x	x	VC03960
F2	▽ 4A 250V	⓪ 4A 250V	Ⓢ T3.15A 250V
Label	x	x	CA80886
F3	▽ 4A 250V	⓪ 4A 250V	Ⓢ T3.15A 250V
Label	x	x	CA80886
F4	▽ 1A 250V	⓪ 1A 250V	Ⓢ T1.0A 250V
Label	x	x	CA80888
F5	▽ 3A 250V	⓪ 3A 250V	Ⓢ T3.15A 250V
Label	x	x	CA80886
T1	XJ782A0	XJ783A0	XJ784A0
PS	VM67720	VM67730	VM67740

marked X : flame proof carbon resistor
 marked (F) : metal film resistor
 marked /5W : wire wound resistor
 marked /1W : metal oxide film resistor

GROUND DIAGRAM

